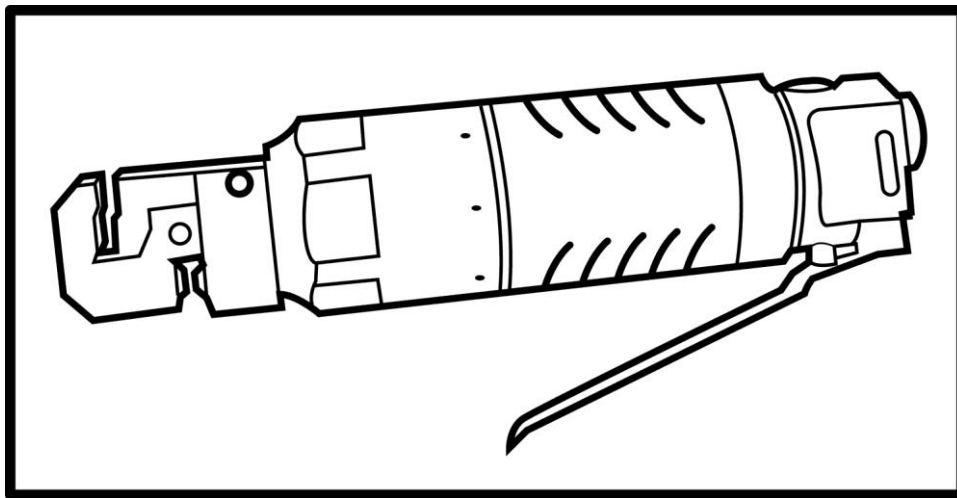


SUMAKE PNEUMATIC TOOLS



Air Punch & Flange ST-6652DA

Specification:

Capacity	1.2 mm
Punch Hole	Dia. 8 mm
Punch Stroke	4mm
Overall Length	10" (250 mm)
Air Inlet (PT)	1/4" (6.35 mm)
Air Hose (I.D.)	3/8" (10 mm)
Air Pressure	90 psi (6.3 bar)
Net Weight	2.53 lbs (1.15 kg)

Noise and Vibration:

Vibration EN ISO 20643	Noise EN ISO 15744	Remark
No Load: 3.97 m/s ² Uncertainty K= 1.5 m/s ²	Sound Pressure Level load: 70.6 dB(A)	Please always wear ear protector at environment noise level > 80 dB(A) due to risk of impaired hearing!
	Sound power level load: 81.6 dB(A)	
	Uncertainty K= 3dB	

SUMAKE INDUSTRIAL CO., LTD

4F,NO.351,Yanguang St.,Neihu District TAIPEI, TAIWAN, ZIP:114-91

ST-6652DA-S-2010C-D5F



EC DECLARATION OF CONFORMITY

We: **SUMAKE INDUSTRIAL CO., LTD.**

4F, No. 351, Yangguang St., Neihu District, Taipei City, Taiwan

declare in sole responsibility that the equipment

Equipment : **AIR PUNCH & FLANGE**

Model/ Serial No. : **ST-6652DA**

to which this declaration applies, complies with these normative documents:

- Machinery Directive: 2006/42/EC

and conforms to the following EN standard,

- EN ISO 12100: 2010
- EN ISO 11148-10:2011

Name and Signature/Position

Mike Su – Managing Director

Date and Place

2022/12/1

Taipei, Taiwan

ST-6652DA-D-2303C-D5F

Foreword

Sumake is a manufacturer and exporter of air tools since established. We have devote all our efforts in improving quality and tools' life. As well as the noise and vibration of tools. Bring all of you working efficiencies, profits, and enjoy using the tool is our principle.

Features

This tool is designed to meet an extremely wide range of metal board to be connected with each other by first press the rim of each other and punching holes, then connect these two board by ways of inserting screw and bolt into the holes.

Operator's instruction

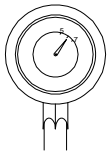
1. Main Applications

This tool is perfect for compression and/or punching die of iron, steel, cast iron, aluminum, nonferrous metal made thin board.

2. Cautions for Use

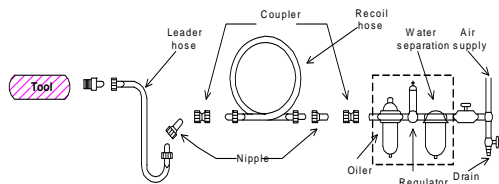
2-1 Air pressure

Maximum performance is displayed at the proper sanding speed, obtainable at a gauge pressure of 6.2 bar. Range-wise, this is an air pressure from 5 to 7 bar (70 to 100 psi)



2-2 Air line

Use a 3/8" air hose between the compressor and the tool. Compressed air is cooled and its water content separated, as soon as the air leaves the compressor.

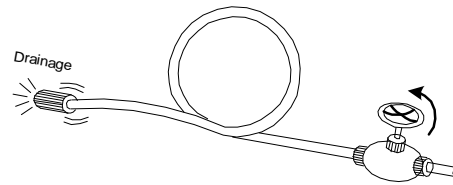


A portion of the water content, however, is

condensed in the piping, and can enter the tool mechanism, and may cause trouble. So, install an air filter and an oiler between the compressor and the tool. Use a 3 HP or larger compressor for each sander.

2-3 Air hose

Clean the hose with a blast of compressed air before connecting the hose to air tool. This will prevent both moisture and dust within the hose from entering the tool and causing possible rust or malfunction. To compensate for unusually long hose (over 25 ft), the line pressure should be increased accordingly.



2-4 Regular checks for cracks and fissures in the Anvil, Clamb, Punch and Punching Die.

2-5 The approved eye protector, ear-muff, mouth-muffle, and gloves should be worn when operate this tool.

2-6 The working place shall be ventilative.

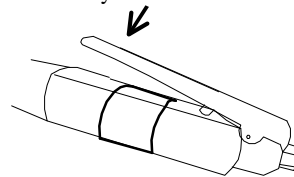
2-7 Release the on-off device in the case of energy supply failure.

2-8 Keep hands away from the compression mechanism and it is better hold this tool by both hands.

3. Operation, Adjusting And Replacing Method

3.1 On-off device

To operate this tool, just push the lever toward the tool itself. The Clamb move to the Anvil while push the lever and move in the opposite direction while release the lever. This tool operates once for one single push-release cycle.



For the sake of safety, put it on hanger or on a soft flat pad when not in use.

3.2 Replace and adjusting

There is no user serviceable part inside this tool.

Please send the tool to a qualified personnel or our service section to repair or/and replace worn parts.

4. Maintenance

4-1 Lubrication

Before connecting the hose, apply 4 or 5 drops of #60 spindle oil at the air inlet. Apply Use of a thicker oil can lead to reduced performance or malfunction. If a thicker oil is used by accident, wipe it away immediately. Also, every 3 or 4 hours of operation, oiling is necessary. When necessary, the tool has to be refilled with high quality hydraulic oil, like Shell Teilus Oil C-10.

4-2 Storage

Avoid storing the tool in a location subject to high humidity. If the tool is left as it is used, the residual moisture inside the tool can cause rust. Before storing and after operation, oil the tool at the air inlet with spindle oil and run it for a short time.

4-3 Disposal

If the tool is too seriously damaged to be used anymore, drop it in a resource recycling can. Never drop it into fire.

4-4 Ordering service Parts

For further operational and handling information or for replacement of parts and components, contact the sale agent from whom you purchased the tool or the service division of our company.

* In ordering parts and components, give each part number, name and quantity.

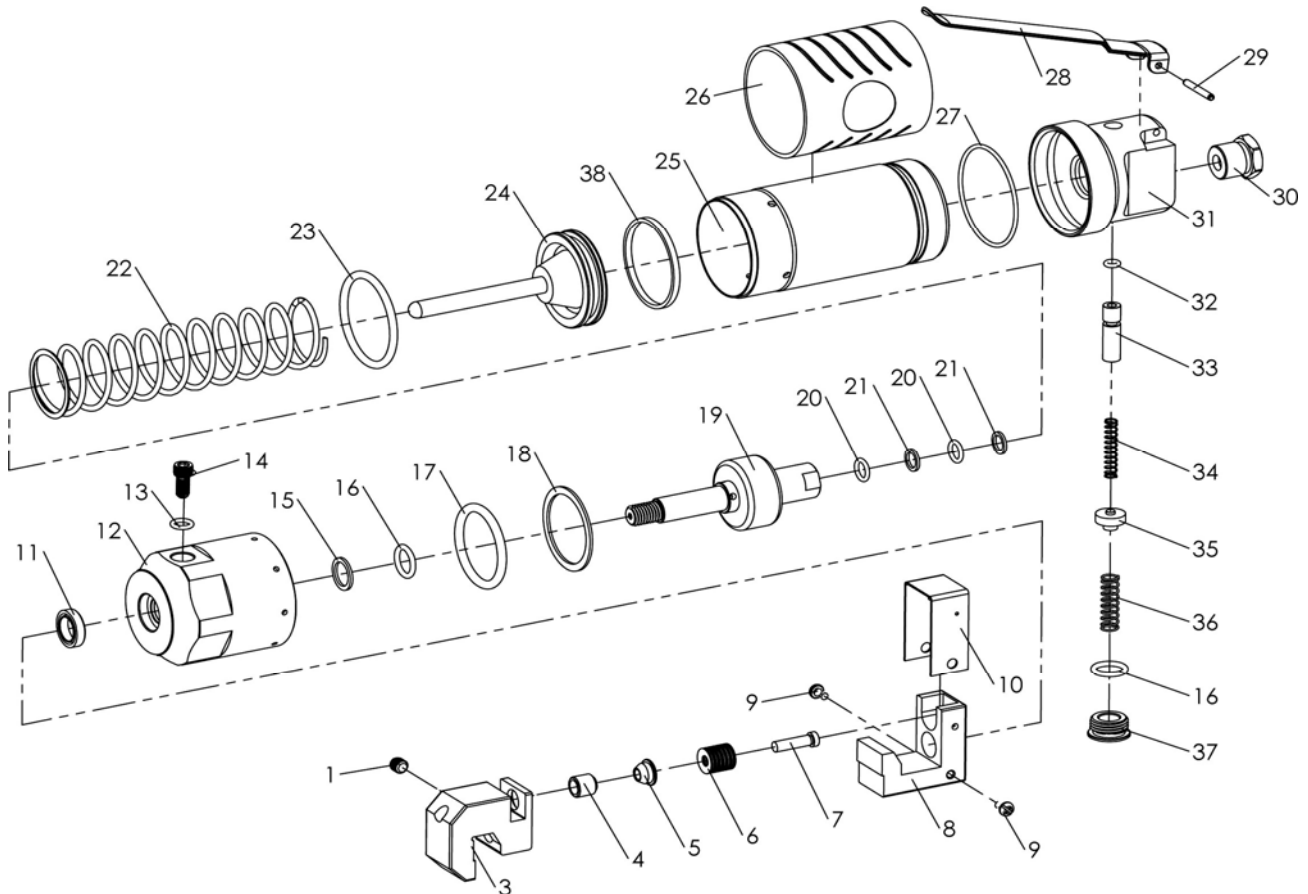
Warning

1. This tool is not insulated for coming into contact with electric power source.
2. It is forbidden to use this tool in explosive atmospheres and do not put any combustible material near the workpiece since it emit sparks when grind with metal material.
3. Prevent long hair or loose clothing from drawing in while operate this tool.
4. Never carry the tool by hose and beware of a whipping compressed air hose.



ST-6652D, ST-6652DA, ST-6652DS

AIR PUNCH & FLANGE



PARTS LIST

No.	Parts No.	Description	Q'ty
1	6652D-01	Set Screw (M6x6)	1
3	6652D-03	Clamp [ST-6652D, ST-6652DS]	1
	6652DA-03	Clamp [ST-6652DA]	1
4	6652D-04	Punch Die [ST-6652D]	1
	6652DA-04	Punch Die [ST-6652DA]	1
	6652DS-04	Punch Die [ST-6652DS]	1
5	6652D-05	Guide Bushing [ST-6652D, ST-6652DS]	1
	6652DA-05	Guide Bushing [ST-6652DA]	1
6	6652D-06	Cup Spring [ST-6652D, ST-6652DS]	13
	6652DA-06	Cup Spring [ST-6652DA]	13
7	6652D-07	Punch [ST-6652D, ST-6652DS]	1
	6652DA-07	Punch [ST-6652DA]	1
8	6652D-08	Anvil [ST-6652D, ST-6652DS]	1
	6652DA-08	Anvil [ST-6652DA]	1
9	6652D-09	Screw (M4x6)	2
10	6652D-10	Cover Plate [ST-6652D, ST-6652DS]	1
	6652DA-10	Cover Plate [ST-6652DA]	1
11	6652D-11	Oil Seal	1
12	6652D-12	Hydr Cylinder	1
13	6652D-13	O-Ring (ID5.8x1.9)	1
14	6652D-14	Pan Head Screw (M6x10)	1
15	6652D-15	Support Ring	1
16	6652D-16	O-Ring (ID11.89x2.4)	2

No.	Parts No.	Description	Q'ty
17	6652D-17	O-Ring	1
18	6652D-18	Support Ring	1
19	6652D-19	Piston	1
20	6652D-20	O-Ring (ID7.8x1.9)	2
21	6652D-21	Support Ring	2
22	6652D-22	Spring	1
23	6652D-23	O-Ring	1
24	6652D-24	High Press Piston	1
25	6652D-25	Air Cylinder	1
26	6652D-26	Rubber Grip	1
27	6652D-27	O-Ring (ID47.35x1.78)	1
28	6652D-28	Lever	1
29	6652D-29	Spring Pin (Φ3x23)	1
30	6652D-30A	Air Inlet (PT19)	1
	6652D-30B	Air Inlet (NPT18)	1
31	6652D-31	Valve Body	1
32	6652D-32	O-Ring (ID3.8x1.9)	1
33	6652D-33	Push Rod	1
34	6652D-34	Spring	1
35	6652D-35	Valve	1
36	6652D-36	Spring	1
37	6652D-37	Screw	1
38	6652D-38	Rubber Band	1