

# TBi SR 9 , TBi SR 20 , TBi SR 21



## TBi SR 9 (FX)

Gasgekühlt /  
gas cooled / refroidissement par air  
60% (10 min.)  
AC: 80 A  
DC: 110 A  
Ø 0.5-1.6 mm



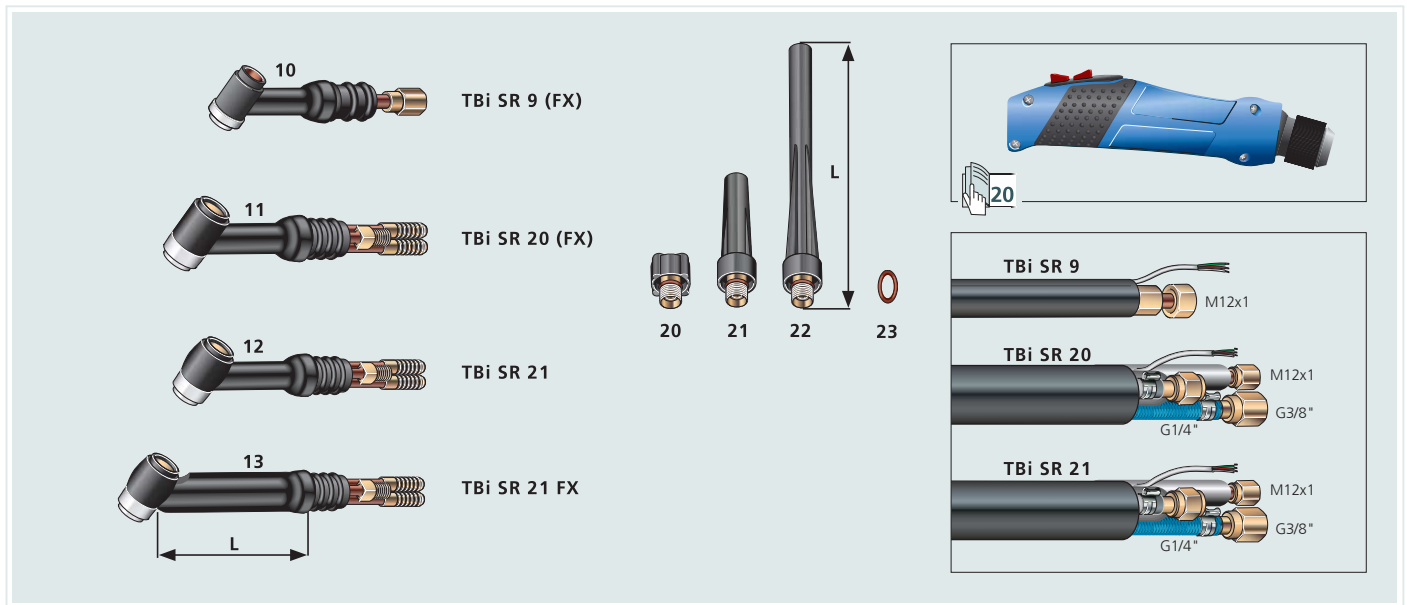
## TBi SR 20 (FX)

wassergekühlt /  
water cooled / refroidissement par eau  
100% (10 min.)  
AC: 160 A  
DC: 220 A  
Ø 0.5-3.2 mm



## TBi SR 21 (FX)

wassergekühlt /  
water cooled / refroidissement par eau  
100% (10 min.)  
AC: 240 A  
DC: 340 A  
Ø 0.5-3.2 mm



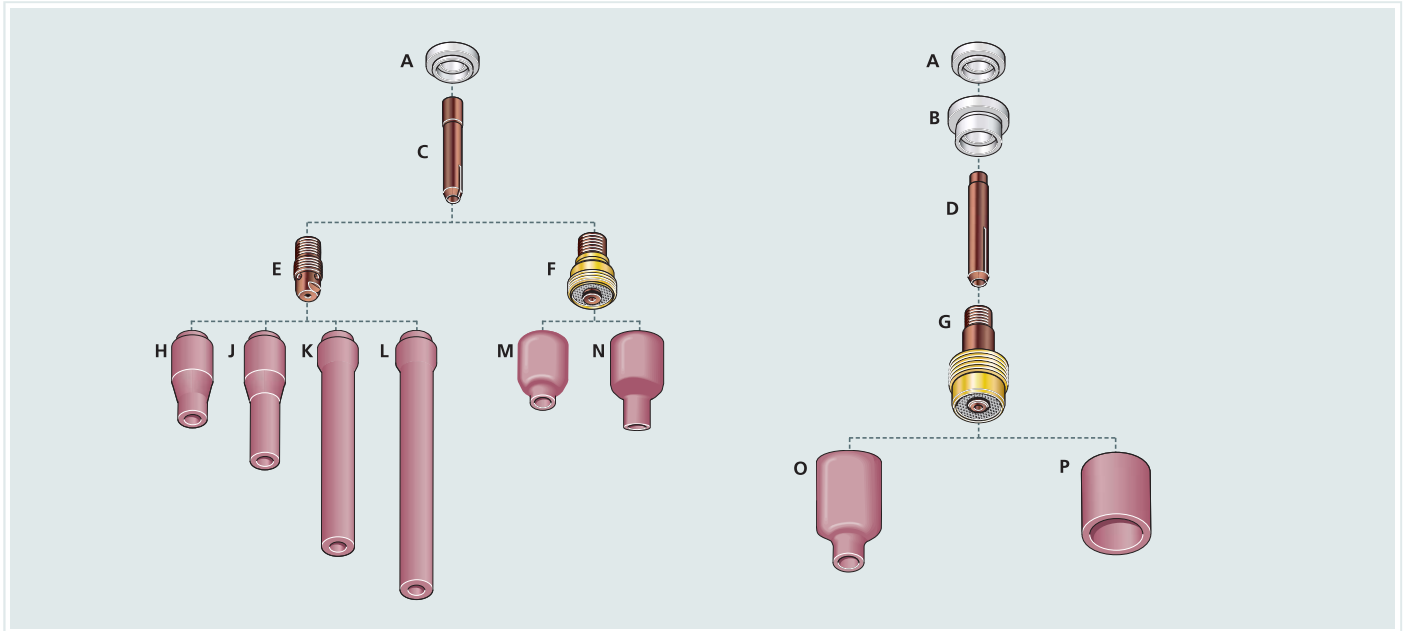
### Ersatzteile / Spare parts / Pièces de rechange

10	Brennerkörper / Torch body / Corps de torche	SR 9		L = 35 mm	405P090800
10	Brennerkörper / Torch body / Corps de torche	SR 9 FX (Standard)	flexibel / flexible / flexible	L = 35 mm	403P090800
10	Brennerkörper / Torch body / Corps de torche	SR 9 FX-L	flexibel / flexible / flexible	L = 115 mm	403P090805
11	Brennerkörper / Torch body / Corps de torche	SR 20		L = 35 mm	405P200800
11	Brennerkörper / Torch body / Corps de torche	SR 20 FX (Standard)	flexibel / flexible / flexible	L = 35 mm	403P200700
11	Brennerkörper / Torch body / Corps de torche	SR 20 FX-L	flexibel / flexible / flexible	L = 70 mm	403P200850
11	Brennerkörper / Torch body / Corps de torche	SR 20 FX-LL	flexibel / flexible / flexible	L = 90 mm	403P200750
11	Brennerkörper / Torch body / Corps de torche	SR 20 FX-XL	flexibel / flexible / flexible	L = 115 mm	403P200800
12	Brennerkörper / Torch body / Corps de torche	SR 21		L = 35 mm	405P210800
13	Brennerkörper / Torch body / Corps de torche	SR 21 FX (Standard)	flexibel / flexible / flexible	L = 65 mm	403P210700
13	Brennerkörper / Torch body / Corps de torche	SR 21 FX-L	flexibel / flexible / flexible	L = 115 mm	403P210701
20	Brennerkappe / Back cap / Coiffe	kurz / short / courte		L = 18 mm	41V33 401P200100
21	Brennerkappe / Back cap / Coiffe	mittel / medium / moyenne		L = 48 mm	41V35 401P200200
22	Brennerkappe / Back cap / Coiffe	lang / long / longue		L = 145 mm	41V24 401P200300
23	O-Ring / O-Ring / Joint torique				98W77 365P200046

### Verschleißteile / Consumables / Consommables

▶ A	Isolator / Insulator / Isolateur	Standard		598882	402P200900
B	Adapter / Adapter / Adaptateur	Jumbo Gaslinse / Jumbo Gas lens / Diffuseur gaz jumbo		54N63-20	401P200905

▶ = Standard



	Ø 0.5 mm Ø 0.020"	Ø 1.0 mm Ø 0.040"	Ø 1.6 mm Ø 1/16"	Ø 2.0 mm	Ø 2.4 mm Ø 3/32"	Ø 3.0 mm	Ø 3.2 mm Ø 1/8"
--	----------------------	----------------------	---------------------	----------	---------------------	----------	--------------------

**Spannhülsen / Collets / Pincés étou**

▶ C	Standard, L=25.4 mm	13N20 401P200599	13N21 401P200600	13N22 401P200601	- 401P200604	13N23 401P200602	- 401P200605	13N24 401P200603
D	Jumbo, L=40.1 mm	-	13N21L 401P13N21L	13N22L 401P13N22L	-	13N23L 401P13N23L	-	13N24L 401P13N24L

**Spannhülsegehäuse / Collet bodies / Supports pince**

▶ E	L=20.6 mm	Ø 0.5 - 1.6 mm 13N27 401P201001		Ø 2.0 - 2.4 mm 13N28 401P201002		Ø 3.0 - 3.2 mm 13N29 401P201003	
-----	-----------	---------------------------------------	--	---------------------------------------	--	---------------------------------------	--

**Gaslinsen / Gas lenses / Diffuseurs gaz**

F	Standard, L=21.5 mm	-	45V42 401P201300	45V43 401P201301	Ø 2.0 - 2.4 mm 45V44 401P201302		Ø 3.0 - 3.2 mm 45V45 401P201303	
G	Jumbo, L=40.5 mm	-	45V0204S 401P201350	45V116S 401P201351	Ø 2.0 - 2.4 mm 45V64S 401P201352		Ø 3.0 - 3.2 mm 995795S 401P201353	

	No. 3 Ø 5.0 mm Ø 3/16"	No. 4 Ø 6.5 mm Ø 1/4"	No. 5 Ø 8.0 mm Ø 5/16"	No. 6 Ø 9.5 mm Ø 3/8"	No. 7 Ø 11 mm Ø 7/16"	No. 8 Ø 12.5 mm Ø 1/2"	No. 10 Ø 16 mm Ø 5/8"
--	------------------------------	-----------------------------	------------------------------	-----------------------------	-----------------------------	------------------------------	-----------------------------

**Keramische Gasdüsen / Ceramic nozzles / Buses gaz céramiques**

▶ H	Standard, L=30.0 mm	-	13N08 401P201106	13N09 401P201107	13N10 401P201108	13N11 401P201109	13N12 401P201110	13N13 401P201111
J	Standard, L, L=48.0 mm	796F70 401P201115	796F71 401P201116	796F72 401P201117	796F73 401P201118	-	-	-
K	Standard, XL, L=63.0 mm	-	796F75 401P201126	796F76 401P201127	796F77 401P201128	-	-	-
L	Standard, XXL, L=89.0 mm	-	796F79 401P201136	-	-	-	-	-

	No. 4 Ø 6.5 mm Ø 1/4"	No. 5 Ø 8.0 mm Ø 5/16"	No. 6 Ø 9.5 mm Ø 3/8"	No. 7 Ø 11 mm Ø 7/16"	No. 8 Ø 12.5 mm Ø 1/2"	No. 10 Ø 16 mm Ø 5/8"	No. 12 Ø 19 mm Ø 3/4"	Ø 24 mm
--	-----------------------------	------------------------------	-----------------------------	-----------------------------	------------------------------	-----------------------------	-----------------------------	---------

**Keramische Gasdüsen / Ceramic nozzles / Buses gaz céramiques**

M	Gas lens, L=25.5 mm	53N58 401P201400	53N59 401P201401	53N60 401P201402	53N61 401P201403	53N61S 401P201404	- 401P201409	-
N	Gas lens, L, L=35.0 mm	53N58L 401P201408	53N59L 401P201405	53N60L 401P201406	53N61L 401P201407	-	401P201410	-
O	Jumbo Gas lens L=48.0 mm	-	-	57N75 401P201451	-	57N74 401P201452	53N88 401P222250	53N87 401P222251
P	Jumbo Gas lens (short), L=34.0 mm	-	-	-	-	-	-	53N89 401P222252

▶ = Standard